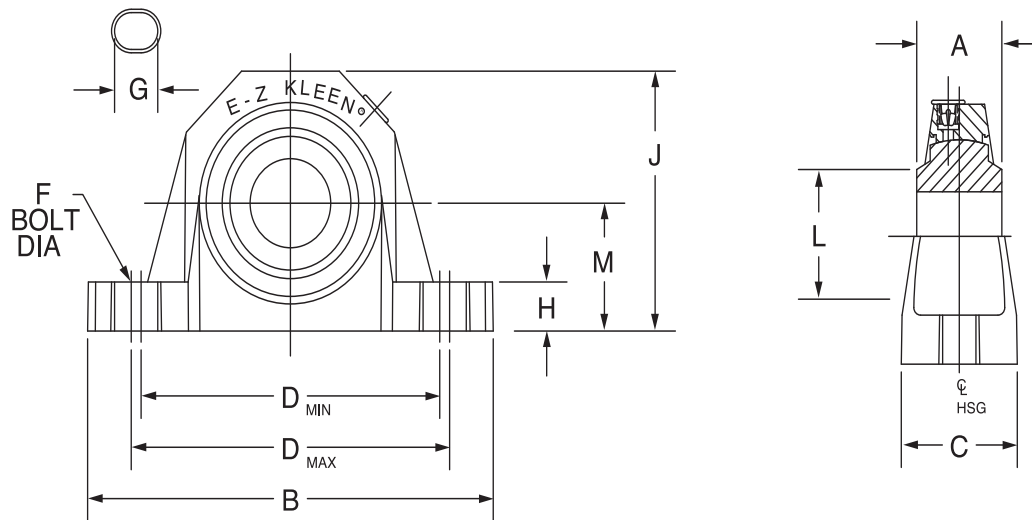


SELECTION/DIMENSIONS



E-Z KLEEN Mounted Bearings PSEZ POLYMER SLEEVE, POLYMER HOUSED PILLOW BLOCKS



Series	Shaft Size	Part No.	Description
204	3/4	034700	P2B-PSEZ-012-P
	20mm	034748	P2B-PSEZ-20M-P
205	1	034701	P2B-PSEZ-100-P
	25mm	034749	P2B-PSEZ-25M-P
206 (PSU)	1-3/16	034702	P2B-PSUEZ-103-P
	1-1/4	034703	P2B-PSUEZ-104S-P
	30mm	034750	P2B-PSUEZ-30M-P
207	1-1/4	034704	P2B-PSEZ-104-P
	1-7/16	034705	P2B-PSEZ-107-P
	35mm	034751	P2B-PSEZ-35M-P
208 (PSB)	1-1/2	034706	P2B-PSBEZ-108-P
	40mm	034752	P2B-PSBEZ-40M-P
210	1-15/16	034709	P2B-PSEZ-115-P
	50mm	034754	P2B-PSEZ-50M-P

Series	Shaft Size	Weight lb. kg	A	B	C	D		F Bolt Dia	G	H	J	L	M
						Min	Max						
204	3/4	0.57	1	5-1/32	1-31/64	3-31/64	3-59/64	3/8	19/32	39/64	2-5/8	1-5/16	1-5/16
	20mm	0.26	25.4	127.8	37.7	93.3	99.6	M10	15.1	15.5	66.7	33.3	33.3
205	1	0.57	1-1/16	5-1/2	1-31/64	3-31/32	4-13/64	3/8	19/32	39/64	2-55/64	1-7/16	1-7/16
	25mm	0.26	27.0	139.7	37.7	100.8	106.8	M10	15.1	15.5	72.6	36.5	36.5
206 (PSU)	1-3/16	0.89	1-3/16	6-5/16	1-25/32	4-39/64	4-57/64	1/2	23/32	45/64	3-11/32	1-11/16	1-11/16
	1-1/4	0.88											
	30mm	0.4	30.2	160.3	45.2	116.9	124.2	M12	18.3	17.9	84.9	42.9	42.9
207	1-1/4	1.06	1-5/16	6-35/64	1-7/8	4-13/16	5-1/8	1/2	23/32	23/32	3-57/64	2	1-7/8
	1-7/16	1.01											
	35mm	0.48	33.3	166.3	47.8	122.2	130.2	M12	18.3	18.3	98.8	50.8	47.6
208 (PSB)	1-1/2	1.27	1-1/2	7-13/64	2-7/64	5-7/64	5-41/64	1/2	7/8	49/64	4-11/64	2	1-15/16
	40mm	0.58	38.1	183.0	53.6	129.6	143.3	M12	22.2	19.4	106.0	50.8	49.2
210	1-15/16	1.67	1-5/8	8-1/16	2-23/64	6	6-9/16	5/8	1.00	59/64	4-9/16	2-9/16	2-1/4
	50mm	0.76	41.3	204.8	59.9	152.4	166.7	M16	25.4	23.4	115.9	65.1	57.2

FEATURES/BENEFITS PAGE B2-3	HOW TO ORDER/NOMENCLATURE PAGE B2-8	SELECTION/DIMENSIONS PAGE B2-24	ACCESSORIES PAGE B2-77
--------------------------------	--	------------------------------------	---------------------------